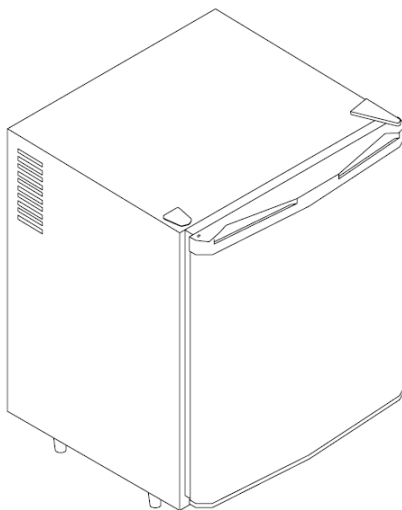


INSTRUCTION MANUAL

MB 32/MB 42/MB 52



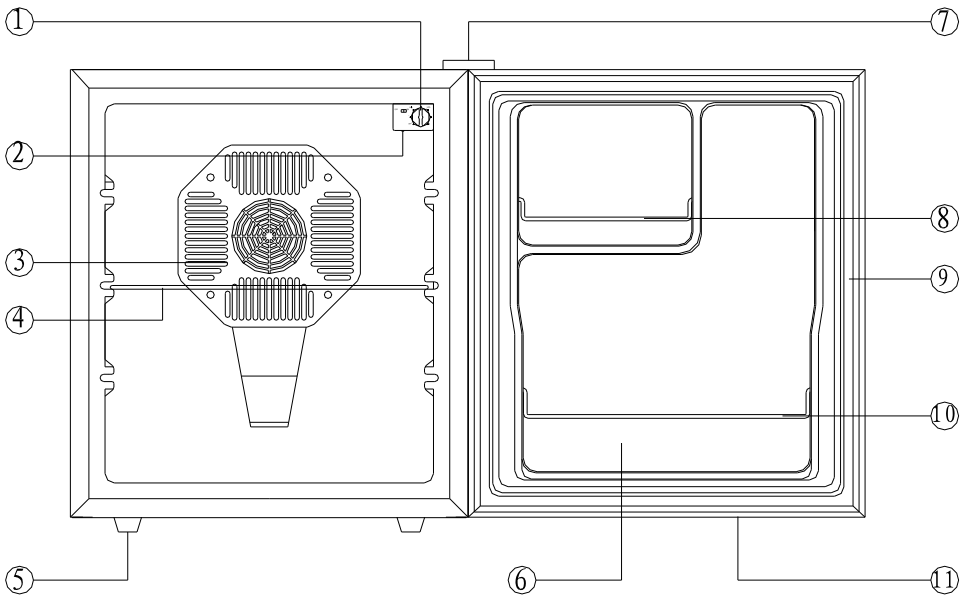
COOL WISE®

Beverage refrigeration

PLEASE READ AND FOLLOW ALL INSTRUCTIONS CAREFULLY BEFORE USE.

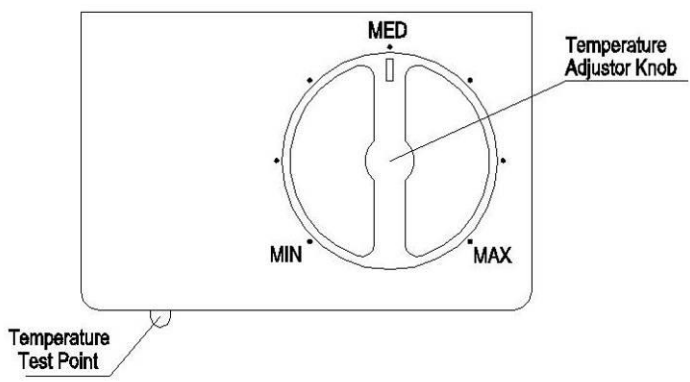
- FAILURE TO FOLLOW THESE INSTRUCTIONS COULD RESULT IN BODILY INJURY, AND/OR PROPERTY LOSS.
- RETAIN INSTRUCTION MANUAL FOR FUTURE USE.

I. PARTS AND FEATURES



- 1. Temperature Control Knob
- 2. Interior Light
- 3. Cold Sink Fan Cover
- 4. Shelf
- 5. Legs
- 6. Door Liner
- 7. Upper Hinge Cover
- 8. Small Bottle Rack
- 9. Door Gasket
- 10. Large Bottle Rack
- 11. Door

Temperature Control



II. GENERAL SAFETY PRECAUTIONS

- After removing the refrigerator from the package, make sure it is in good condition. In case of doubt, do not use it and contact an authorized service center.
- Plastic bags, nails, etc. should be kept out of the reach of children.
- Read the operation manual carefully, check and make sure that the rating data on the rating nameplate corresponds to your power supply.
- This refrigerator can only be used in the designed use. The manufacturer will not respond for any damage due to improper use or repairs made by unqualified personnel.
- Before cleaning the refrigerator, make sure it is unplugged. Never clean the unit with an acid impregnant, medical, dilution, gasoline, oil or any other kind of chemical substance that could damage the refrigerator.
- Repair should only be made by authorized service centers.

Caution:

1. To reduce the risk of fire, replace only with same type fuse.
2. Free standing installation only.
3. Do not use extension cords.

Warning:



1. If the supply cord is damaged, it must be replaced by the manufacturer or service agent or similarly qualified person in order to avoid hazard.
2. Please screw off the door before throwing it away.
3. Please keep the appliance away from any flammable substances.
4. To avoid a hazard due to the instability of the appliance, it must be fixed according to the instructions.
5. Children should be supervised to ensure that they do not play with the appliance.
6. This appliance is not intended for use by persons (including children) with reduced physical, sensory or mental capabilities, or lack of experience and knowledge, unless they have been given supervision or instruction concerning use of the appliance by a person responsible for their safety.
7. Keep ventilation holes clear of obstruction.

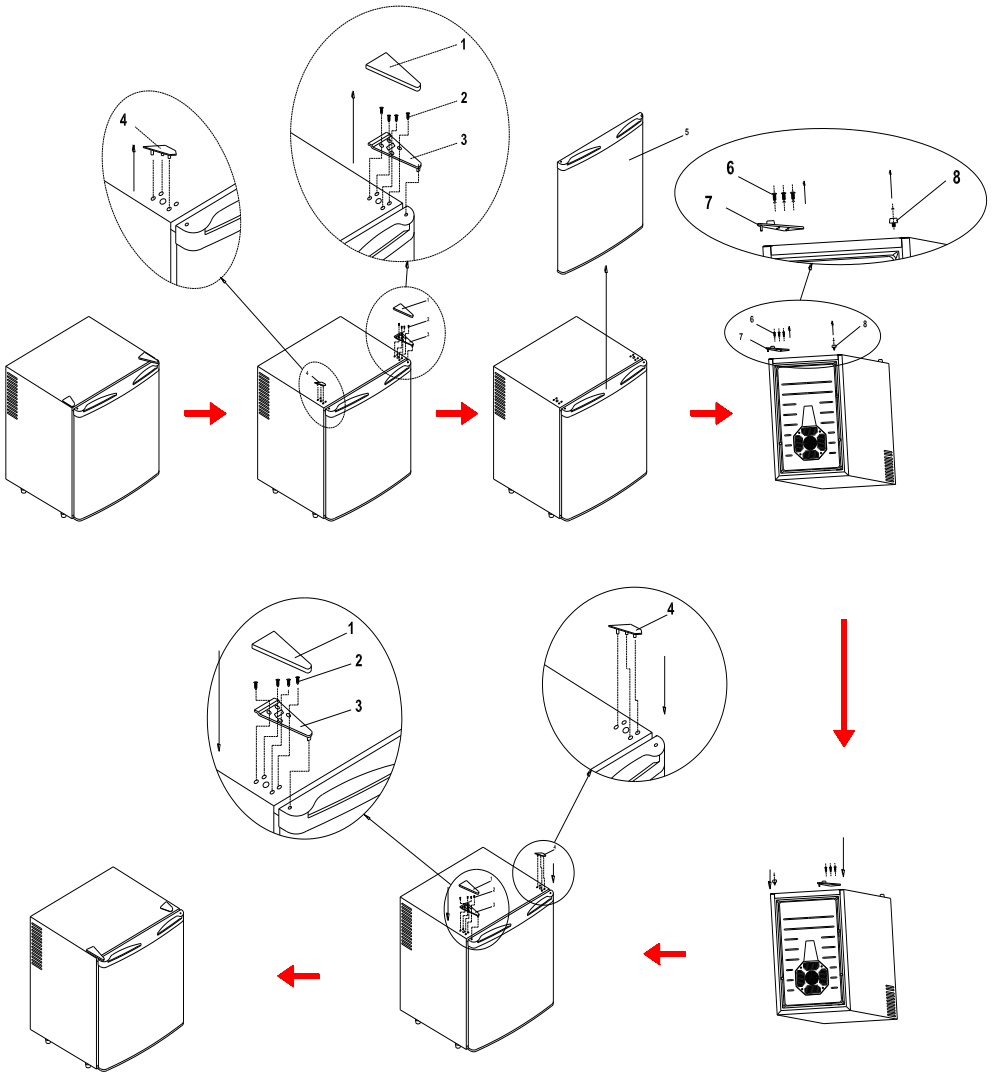
III. OPERATION OF REFRIGERATOR

- Clean the inside before use.
- Fix the shelves properly according to the instruction.
- When use for the first time (or not use for a long time), you should adjust the temperature to minimum and have the cabinet empty running for 2 hours, and then adjust to the desired temperature.
- When the power is connected, cooling system starts to work. The TEMP-ADJ knob(thermostat) is set on certain position, which means that if the temperature in the refrigerator reaches the point set, Self-control Temperature System stops cooling system so the temperature in the cabinet rises gradually.
- When the inside temperature rises above the set point, Cooling Self-control Temperature starts to work again, the refrigerator enter into cooling circles.
- When you want to change the temperature in the cabinet, You can make use of the temperature setting knob to set the temperature. The temperature range is 6°C—12°C ($\pm 1^\circ\text{C}$), after the temperature is set on one certain point and when the temperature inside reaches this point, the automatic temperature control system begin to work.

IV. Reversing the Door Swing of Your Appliance

This refrigerator has the capability of the door opening from either the left or right side. The unit is delivered to you with the door opening from the left side. Should you desire to reverse the opening direction, please call customer service for reversal instruction or the chart following the installation of an adjustment:

- Pull out the cover and 4 pcs screws, see step 1 and 2.
- Take out upper hinge, see step 3.
- Pull out the other cover, see step 4.
- Take out the whole door, see step 5.
- Pull out the 4 pcs screw and take out the down hinge, see step 6 and 7.
- Pull out the feet on another side, see step 8.
- Fix the down hinge into another side which pull out the feet by step 8;
- Fix the whole door into the down hinge; then fix the upper hinge by screws, and fix the cover.



V. PARTICULAR PRECAUTIONS

- Please unplug the refrigerator before moving.

- Please check if all the parts are available before installation.
- In order to get the best performance at its potential, this refrigerator needs to be placed on flat floor, with 5cm spaces from the wall at each side and 10 cm at the backside.
- The height of the refrigerator can be adjustable by adjusting the four legs, but cannot be over 20 mm of each.
- Keep ventilation holes clear, and keep at a distance of 50 mm from surroundings.
- Hot food should be cooled down before placing in the refrigerator.
- Please keep away from the heat resources or gas.
- Avoid direct sunshine and carry high temperature.
- Do not place heavy articles on the top of the refrigerator.

VI. TECHNICAL DATA

Model	Semiconductor Electric Refrigerator
Climate Class	Please refer to the information indicated on the product. You will find the information on the rating label on the back of the unit as well as inside the cooling compartment. The circuit diagram is displayed on the back of the unit as well as inside the cooling compartment
Refrigerant Gas	
Refrigerant Charge	
Temperature Range (°C)	
Input Power	
Rated Frequency	
Rated Voltage	
Internal volume	
Net Weight	
Gross Weight	
Foaming Agent	
External Dimension (mm)	

VII. MAINTENANCE

- Shut off power supply before cleaning cabinet.
- Clean the cabinet with soda water first and with clean water last.

- Do not use soap or detergent for the cabinet.
- Clean the refrigerator regularly.

VIII. TROUBLE SHOOTING

Symptoms	Possible cause	Solutions
No cooling	<ul style="list-style-type: none"> • Plug not put in • Low voltage • Fuse broken 	<ul style="list-style-type: none"> • Put in the plug • Ensure normal voltage • Change fuse
Not cold enough temperature inside	<ul style="list-style-type: none"> • The refrigerator is placed too near heat source; • Bad ventilation; • Fans don't work; • The door is not closed tightly or opened too frequently or for too long time; 	<ul style="list-style-type: none"> • Keep the refrigerator away from sunshine or other heat source; • Place the refrigerator in the area with good ventilation and keep things away from the fans; • Check whether the plug is connected or change the fan; • Close the door tightly and don't open the door too frequently or for too long time.
Peculiar smell inside Refrigerator	<ul style="list-style-type: none"> • Check whether there is any sour inside 	<ul style="list-style-type: none"> • Wrap the source or take it out
Inside light flash	Set temperature Higher than inner Temperature; The automatic Defrost function Start to work	Adjust the adjustor Normal function ,No repair needed
Frost on the cold sink	Too much humidity or too Low temperature Inside the case	Output the plug, Stop the power, and defrost by hand, Connect power again when the ice thaws